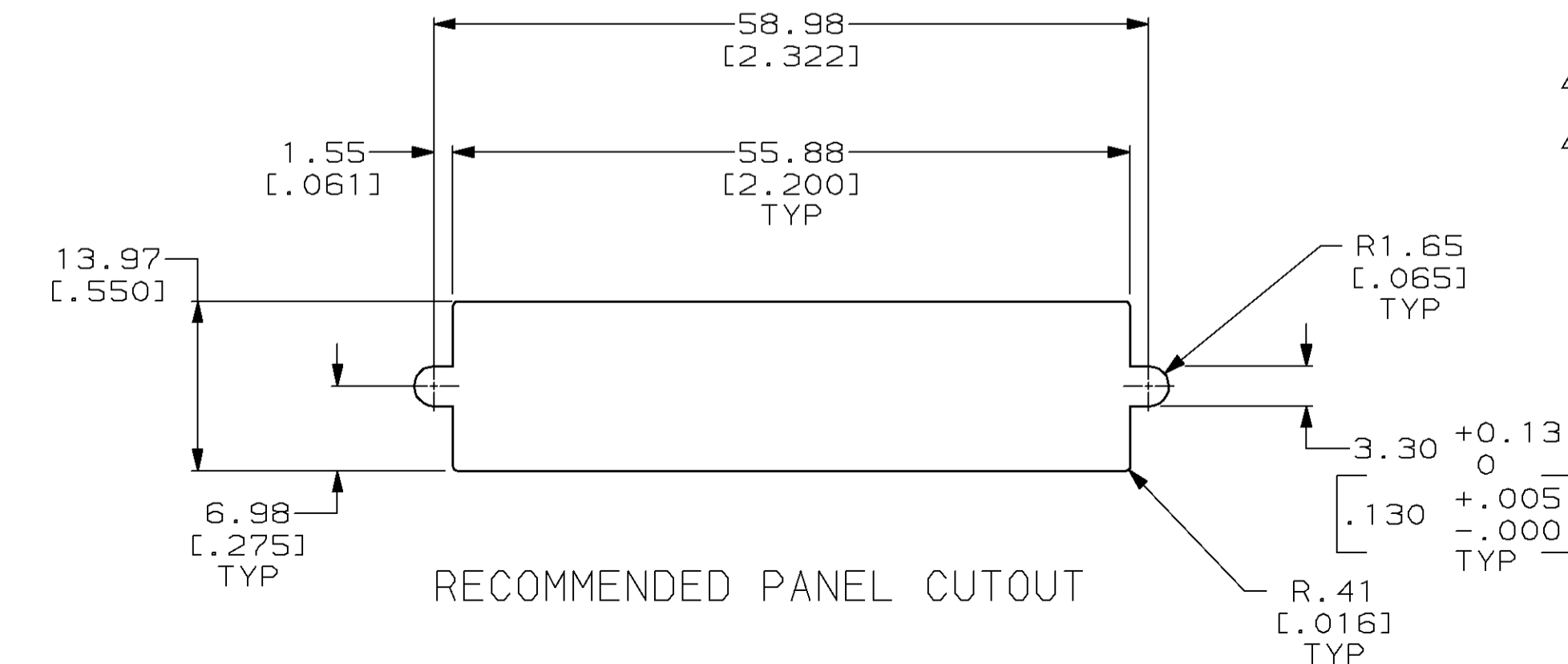
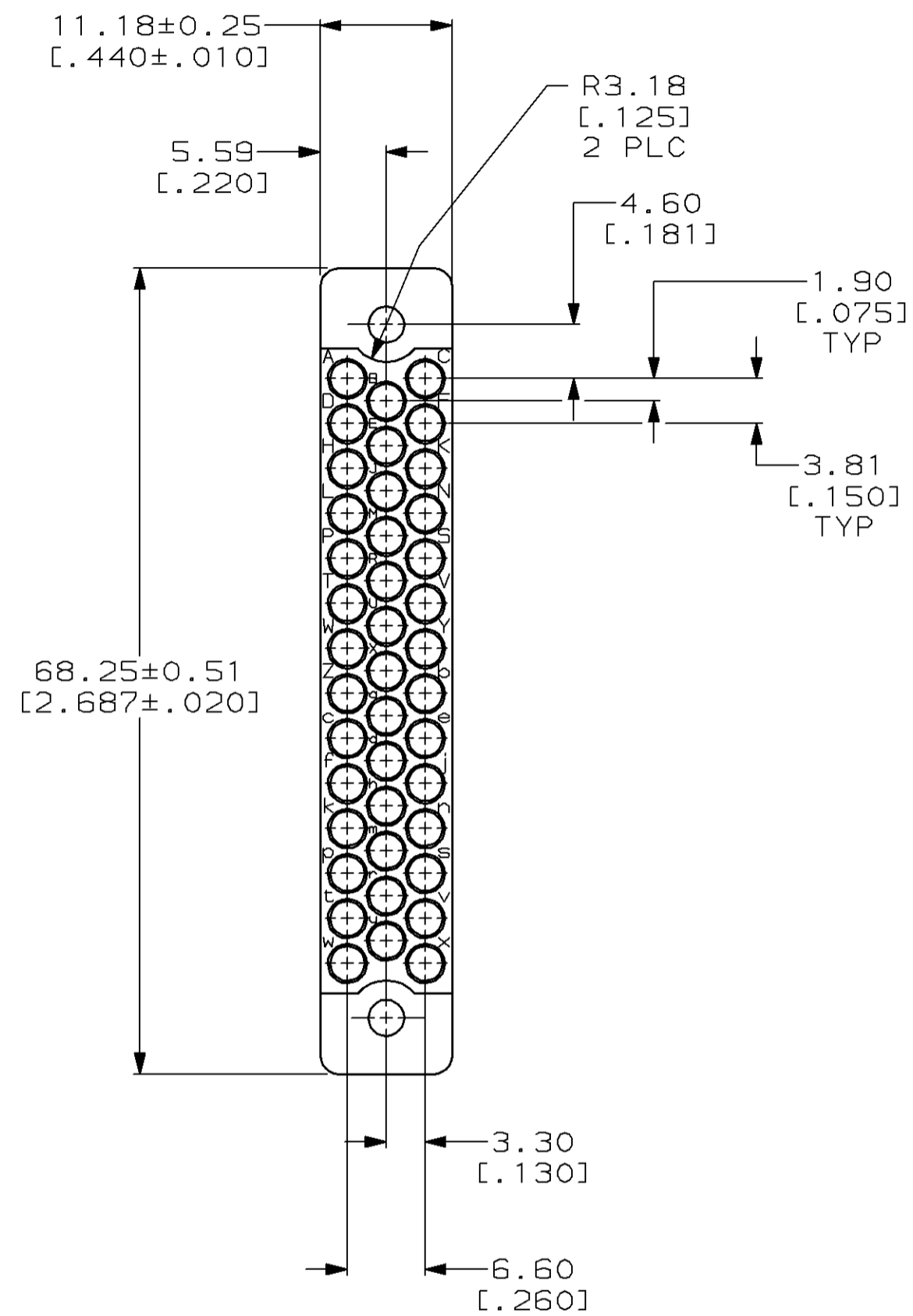
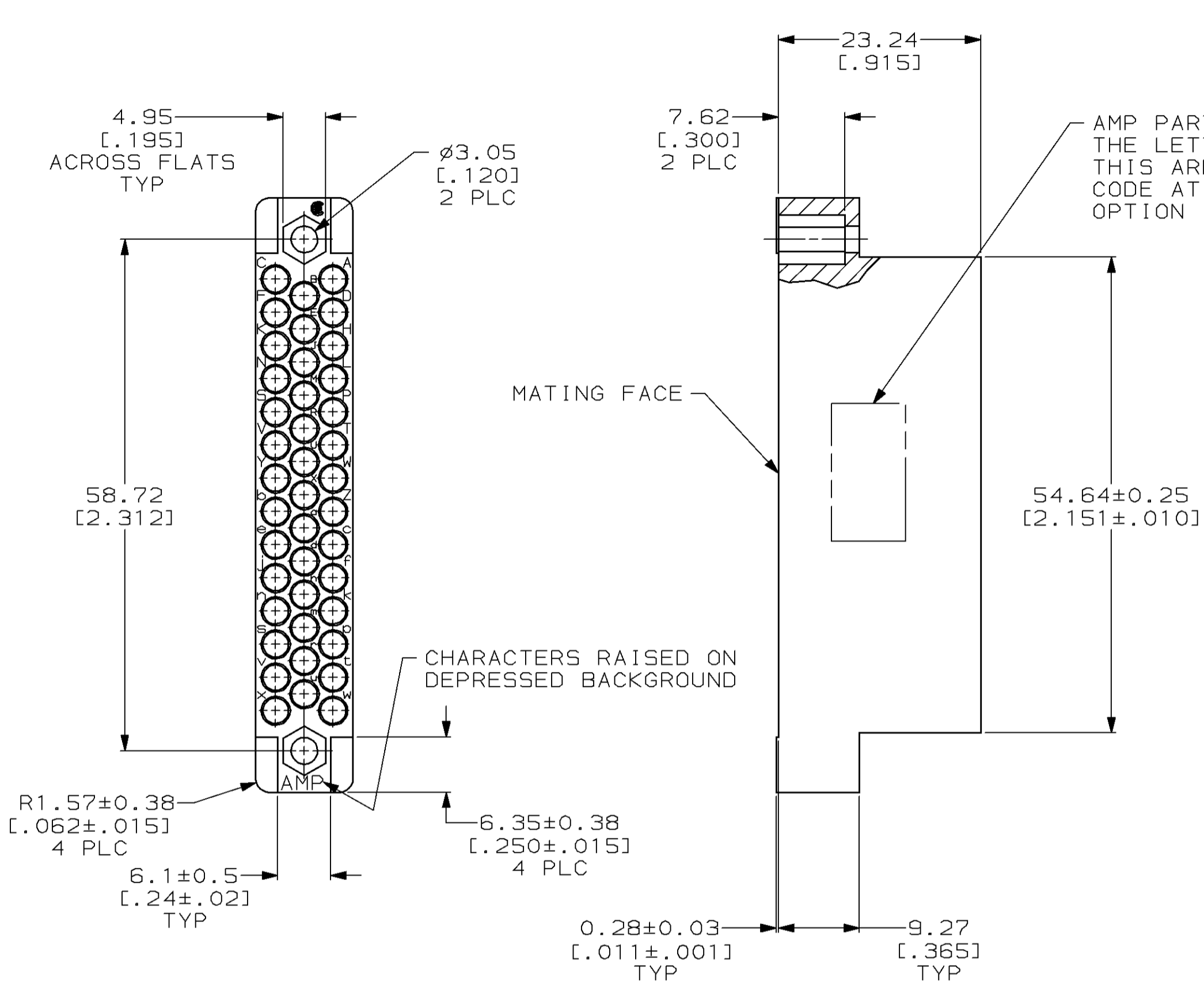


THIS DRAWING IS UNPUBLISHED. RELEASED FOR PUBLICATION
 BY AMP INCORPORATED. ALL RIGHTS RESERVED.

Loc		DIST		REVISIONS			
P	LTR	DESCRIPTION	DATE	DWN	APVD		
	L	REDRAWN W/O CHANGE PER EC 0020-1299-95	19 FEB 96	-	-		
	M	REV PER EC 0320-82-97	14 AUG 97	BC	GS		



- 1 PHENOLIC, BLACK, PER MIL-M-14, TYPE CFG.
- 2 DIALLYL PHTHALATE, BLUE, PER MIL-M-14, TYPE SDG-F.
- 3. ACCOMODATES 41 #16 TYPE II OR TYPE III PIN CONTACTS OR SOCKET CONTACTS.
- 4. MATES WITH 201302.

2	202135-4
1	202135-2
MATERIAL	PART NUMBER

THIS DRAWING IS A CONTROLLED DOCUMENT FOR AMP INCORPORATED. IT IS SUBJECT TO CHANGE AND THE CONTROLLING ENGINEERING ORGANIZATION SHOULD BE CONTACTED FOR THE LATEST REVISION.		DWN	C. REIFSNYDER	19 FEB 96	AMP Incorporated Harrisburg, PA 17105-3608
DIMENSIONS: mm [INCHES]		CHK	R. STONE	13 MAR 96	
TOLERANCES UNLESS OTHERWISE SPECIFIED:		APVD	G. A. STEINHAUER	25 JUN 96	NAME MALE BLOCK, DEEP, 41 POSITION, M SERIES
0 PLC ±-		PRODUCT SPEC	-	-	
1 PLC ±-		APPLICATION SPEC	-	-	SIZE A2
2 PLC ±0.13 [.005]		WEIGHT	-	-	
3 PLC ±-		CUSTOMER DRAWING	-	-	CAGE CODE 00779
4 PLC ±-		SCALE	2:1	SHEET	
ANGLES ±-				1 OF 1	DRAWING NO 202135
FINISH -				REV	

202135